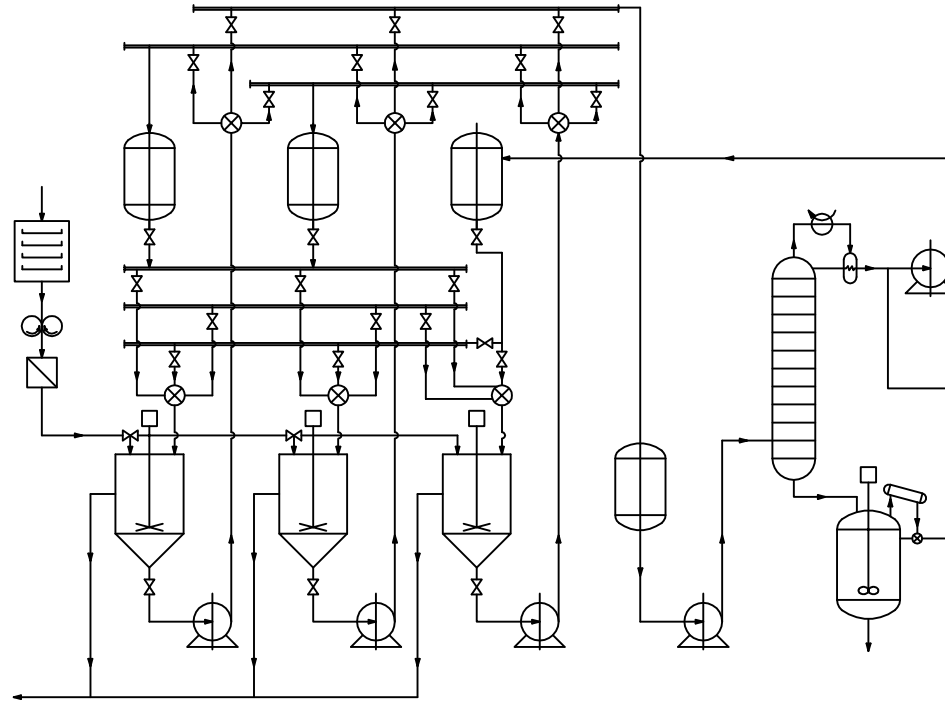
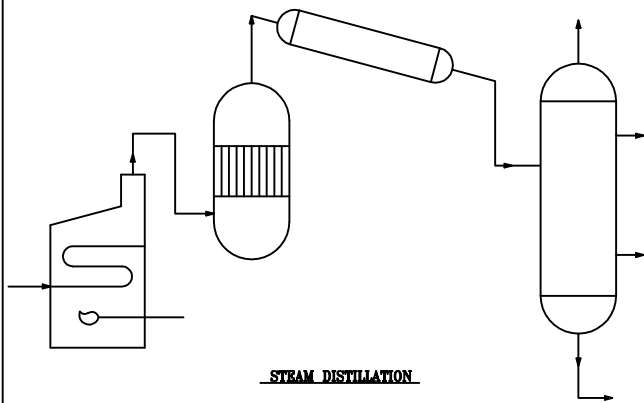


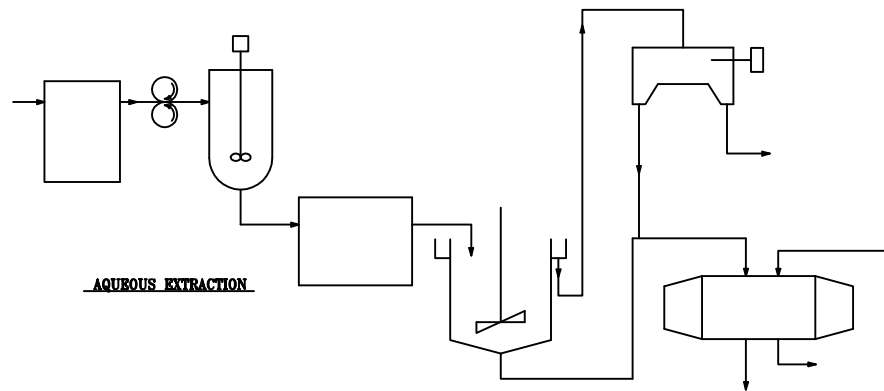
HERBAL EXTRACTION AT GLANCE



SOLVENT EXTRACTION



STEAM DISTILLATION



AQUEOUS EXTRACTION